



DETAILED SPECIFICATIONS FOR ERICO'S LIGHTNING EVENT COUNTER LEC-IV

Applications

The awesome natural phenomenon of lightning, which strikes the earth an estimated 6000 times per minute, is an ever present and unpredictable force. It is a danger to humanity and a danger to complex and sophisticated equipment and structures.

The LEC-IV has been specifically designed for use with the ERITECH System 3000 and System 2000 lightning protection products.

The Lightning Event Counter can be mounted in any location along the downconductor route. Its purpose is to record the number of strikes taken by the air terminal and conveyed by the downconductor. Using a non-intrusive inductive pickup, the counter will accurately record a lightning event for later reference.

The LEC must be mounted in line with the downconductor using the two clamps provided, or, if installing the counter on flat copper tape downconductors the spacer supplied must be used in conjunction with the screw clamps.

It is advisable to take into consideration accessibility to the unit, whether it is to be concealed or not and the security of the unit when selecting a suitable location.

Features

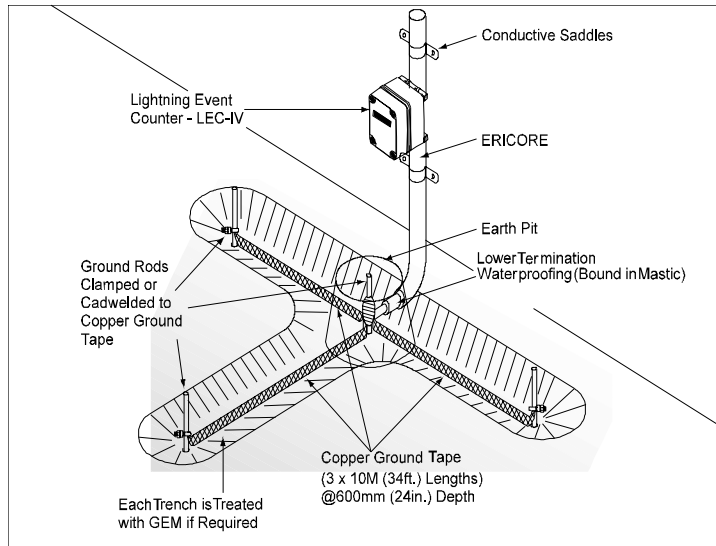
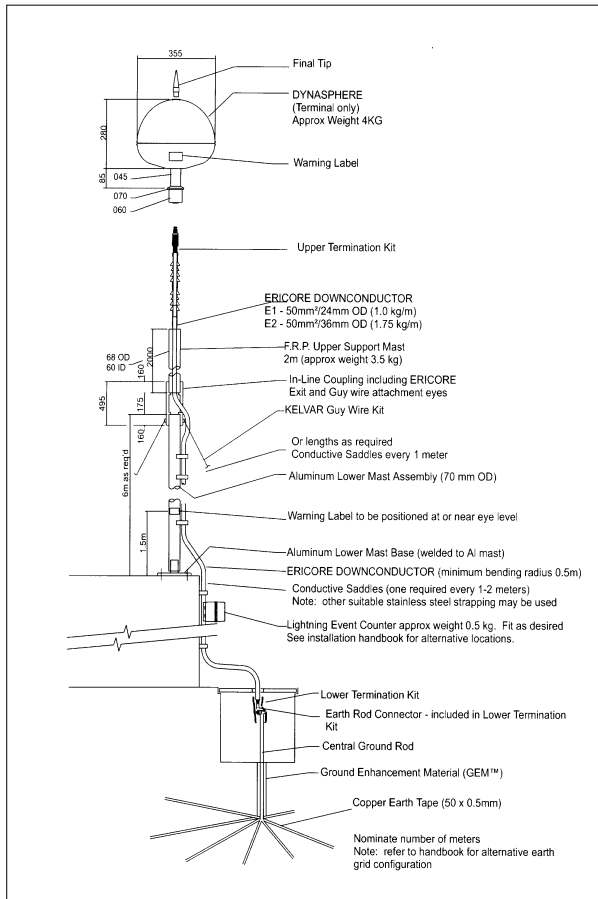
- Ease of installation, LEC can be retro-fitted to any lightning protection downconductor
- IP67 rated enclosure suitable for external application
- Non resettable mechanical counter
- Non-intrusive and fast acting proximity circuit detects lightning transient currents.
- Can be mounted at any location along the downconductor

LIGHTNING EVENT COUNTER

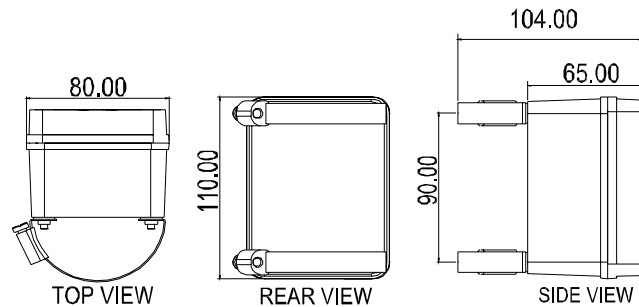
SPECIFICATIONS

Lightning Event Counter:

Model	LEC IV
Triggering Impulse	>2000A 8/20 μ s
Operating Temperature	-40°C to 50°C
Enclosure Rating	IP67



Mounting details



Due to a policy of continual product development, specifications are subject to change without notice. © Copyright 2000

Model Number
LEC-IV

Description
LEC-IV Lightning Event Counter

